



ONSITE HEALTHCARE WHEREVER YOU ARE

## Health Plaza

Our versatile, mobile, micro clinic supports light healthcare needs like testing, vaccination, and information exchange with a bright functional space. Secure, cleanable, and completely customizable with popular features, colors, and custom printing. Easy to set up, reconfigure and move. Designs for industrial, institutional, civic or office facilities, multi-family housing, stores and pharmacies.

Designed and built in Portland, Oregon.



### BASE UNIT

This bright, small, mobile clinic space with locking stowable bi-fold doors for privacy and security includes these features:

1. Open shelves and locking storage
2. 2 tamper-resistant AC receptacles AC 125V, 60Hz
3. Fused 15A
4. 2 USB ports, DC 5V 2.1A each (10.5 watts)
5. Overhead light, dimming
6. Modular features
7. Medical cooler storage
8. Cleanable with bleach
9. Lockable, bi-fold doors



### FULLY EQUIPPED UNIT

Custom design the plaza to fit your exact needs. Add additional accessories like:

1. Stool consult seat
2. Large sturdy patient seating with armrests
3. Foldout work surface
4. Medical Cooler Storage
5. Under cabinet light
6. Magnetic whiteboard
7. Sharps container mount
8. Glove box holder
9. Wipe container mount

# Frame and Wall Options

Own your space. Choose your options and configure the perfect Health Plaza for your needs.



## FRAME COLOR

Choose from three neutral tones that compliment most office decors. Other colors are available. Inquire for details.

Frame made of powder coated steel.



## WALL COLOR

Choose from blue or white walls.

Walls are made of Light Tack® with customizable finish.

# Feature Options



## WALL-MOUNTED FUNCTIONALITY

A comfortable seat with arm rests and a work surface allow for maximum productivity. Seat and desk made of PET on Europly.



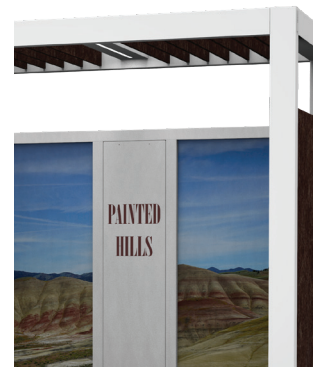
## AV PACKAGE

Includes display, bi-directional arm, HDMI cable.



## CONSULT SEATING

A rolling consult seat for convenience.



## CUSTOM GRAPHICS

Own your space, own your brand with your own custom designs and company logos on any material you choose.

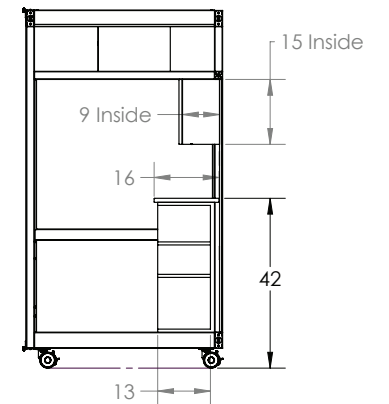
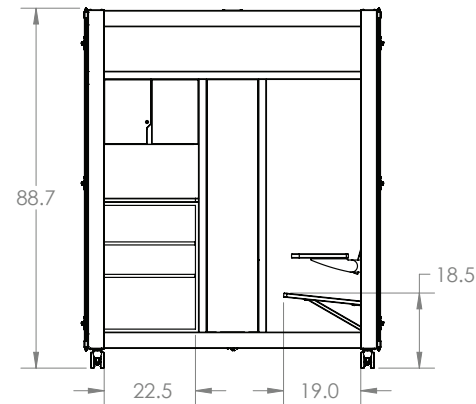
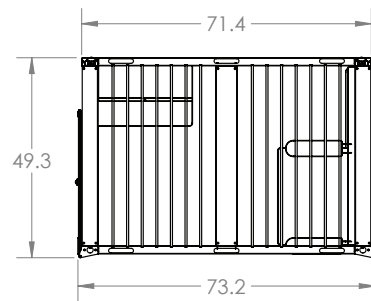
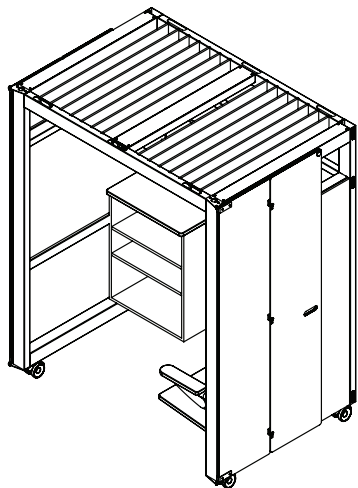
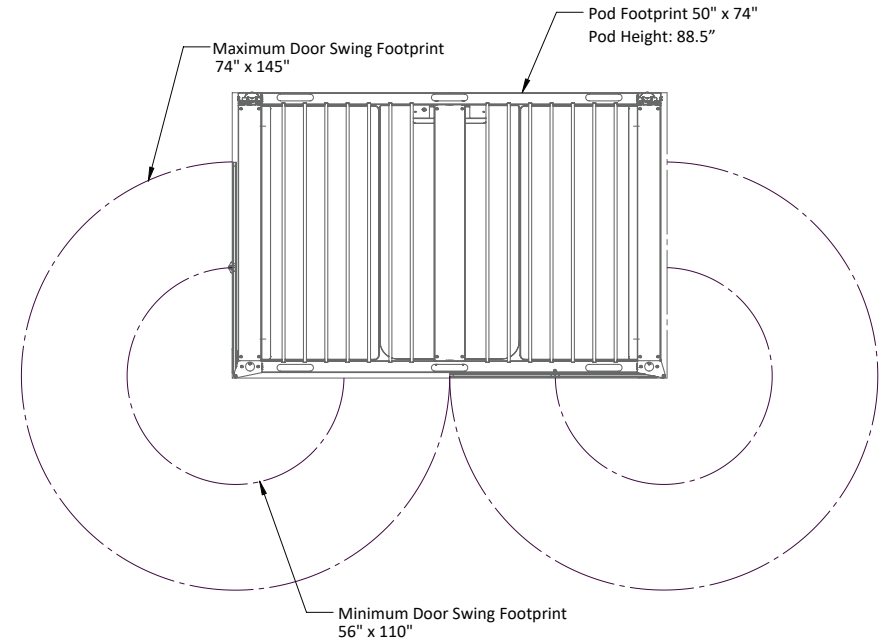


# Specs

**CAPACITY: 2 PERSONS**

## DIMENSIONS

	Height	Depth	Width
<b>Unit</b>	88.7"	49.3"	73.2"
<b>Lower Open Cabinets</b>	30"	13"	22.5"
<b>Upper Locking Cabinets</b>	15"	9"	22.5"
<b>Doors</b>	Add minimum of 18.5" in front and to sides for door swing		



# Get in touch

hello@twofoldspaces.com

